

# S4PE

M266 E60 000

**The S4PE, the  
scraper and the  
sampling tube are  
used to detect  
persistent chemical  
agent (HD, VX).**



The S4PE is exclusively used when the sampling tube is fitted on the AP2C.

Thanks to the scraper, a sample is taken from the surfaces to be checked. The nose of the S4PE is then inserted into the AP2C sampling tube and held there.

The push button of the S4PE is pressed and held down (for approximately 2 seconds) to heat the scraper.

The liquids sampled are thus converted into vapors or aerosols, so that they can be analyzed by the AP2C.

A lithium battery supplies the S4PE, ref.: LSH 20 (SAFT).

## Characteristics

Size: (HxL): 150mm x 120 mm Ø 50 mm (5.90" x 4.72"; Ø 1.97")

Weight (Without LSH20 battery): 225 gr

Operating temperature: -32°C to +71°C (-25.6°F to +131°F)

Storage temperature: -38.2°F to +160°F (-38.2°F to +160°F)

Autonomy: approximately 1000 samplings with one battery

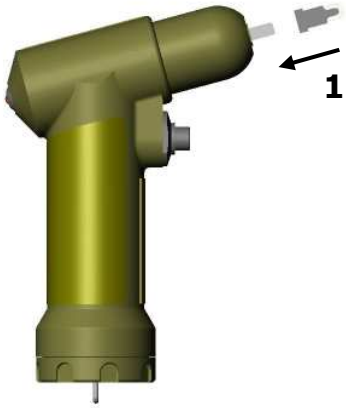
**PROENGIN**

1, rue de l'Industrie 78210 Saint-Cyr L'Ecole FRANCE  
Tel: (33) 1 30 58 47 34 / Fax: (33) 1 30 58 93 51  
E-Mail: [contact@proengin.com](mailto:contact@proengin.com)

**PROENGIN Inc**

405 N E. 8<sup>th</sup> street Fort Lauderdale Florida 33304 USA  
Tel: (1) 954 760 99 90 / Fax: (1) 954 760 99 55  
E-Mail: [contactusa@proengin.com](mailto:contactusa@proengin.com)

## Application: contamination control of a surface (skin, steel and puddle)



1 – Put the scraper on the S4PE



2 – Rub the contaminated surface with the scraper

3 – Test it with the AP2C

**PROENGIN**

1, rue de l'Industrie 78210 Saint-Cyr L'Ecole FRANCE  
Tel: (33) 1 30 58 47 34 / Fax: (33) 1 30 58 93 51  
E-Mail: [contact@proengin.com](mailto:contact@proengin.com)

**PROENGIN INC**

405 N E. 8<sup>th</sup> street Fort Lauderdale Florida 33304 USA  
Tel: (1) 954 760 99 90 / Fax: (1) 954 760 99 55  
E-Mail: [contactusa@proengin.com](mailto:contactusa@proengin.com)

# S4PE set

M352 E20 000

**This set includes all  
necessary tools for  
liquid detection.**



## Packaging

This whole equipment is packaged in a fitted black transport case including:

- 1 S4PE
- 2 LSH20 batteries
- 2 Boxes of 10 sampling scrapers (black)
- 1 Box of 10 test scrapers (blue)
- 1 Sampling tube
- 1 Technical Guide

## Characteristics

Case Size (LxWxH): 460 mm x 380 mm x 170 mm (18.10" x 7.10" x 4.70")

Weight of the full case: 4,2 kg

Operating temperature: -25°C to +45°C (-13°F to +113°F)

Rain proof

Decontaminable body/interchangeable edgings

Shock proof and withstands 1 meter drops

Stockable